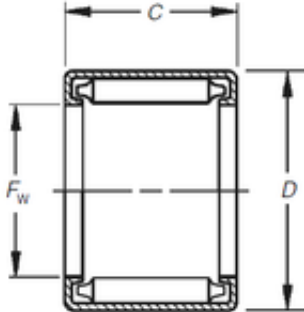




## Thk Environmental Axis.

### Timken B-3220 Rodamientos De Agujas



Bearing No. B-3220

Size	50.8x60.325x31.75 mm
Bore Diameter	50,8 mm
Outer Diameter	60,325 mm
Width	31,75 mm
Fw	50,8 mm
D	60,325 mm
C	31,75 mm
Weight	0,155 Kg
Basic dynamic load rating (C)	71,6 kN
Basic static load rating (C0)	183 kN
(Grease) Lubrication Speed	2100 r/min

B-3220 Bearing 2D drawings and 3D CAD models