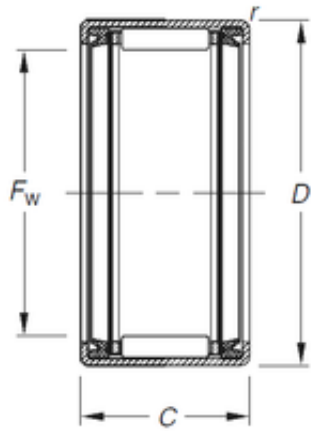




## Thk Environmental Axis.

### Timken HK2220.2RS Rodamientos De Agujas

Bearing No. HK2220.2RS



Size	22x28x20 mm
Bore Diameter	22 mm
Outer Diameter	28 mm
Width	20 mm
Fw	22 mm
D	28 mm
C	20 mm
r	1 mm
Weight	0,026 Kg
Basic dynamic load rating (C)	13,1 kN
Basic static load rating (C0)	20,9 kN

HK2220.2RS Bearing 2D drawings and 3D CAD models