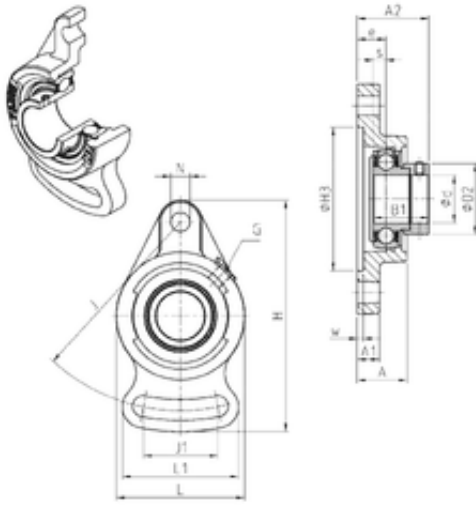




Thk Environmental Axis.



ESFAE205 Bearing 2D drawings and 3D CAD models

SNR ESFAE205 Unidad De Rodamiento

Bearing No. ESFAE205

Bore Diameter	25 mm
d	25 mm
H3	63,5 mm
e	12,5 mm
s	7,5 mm
A	22,5 mm
A1	11 mm
B1	30,9 mm
D2	38,1 mm
H	124 mm
J	99 mm
L	70 mm
L1	63 mm
N	11,5 mm
W	3,5 mm
Thread (G)	R1/8"
A2	35,9 mm
J1	37,5 mm
Weight	0,5 Kg
Basic dynamic load rating (C)	14 kN