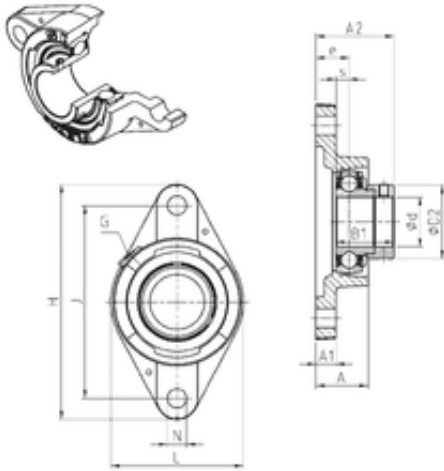




Thk Environmental Axis.



SNR ESFLE212 Unidad De Rodamiento

Bearing No. ESFLE212

Bore Diameter	60 mm
d	60 mm
e	34 mm
s	12 mm
A	50,4 mm
A1	16 mm
B1	49,3 mm
D2	84,2 mm
H	238 mm
J	202 mm
L	138 mm
N	18 mm
Thread (G)	R1/8"
A2	71,3 mm
Weight	3,4 Kg
Basic dynamic load rating (C)	52,5 kN

ESFLE212 Bearing 2D drawings and 3D CAD models