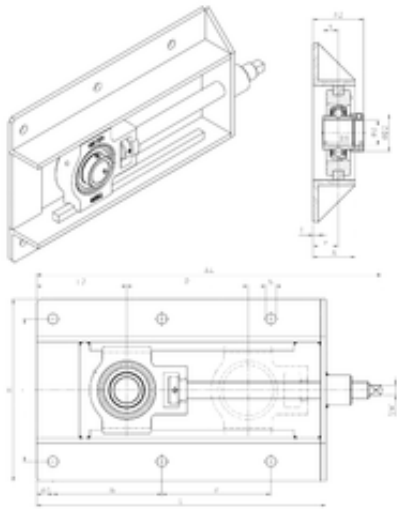




Thk Environmental Axis.



SNR EXT211+WB Unidad De Rodamiento

Bearing No. EXT211+WB

Bore Diameter	55 mm
d	55 mm
A4	631 mm
P	300 mm
e	38 mm
L2	114 mm
s	27,7 mm
SW	19 mm
A	65 mm
B1	71,3 mm
D2	76,2 mm
H	301 mm
J	240 mm
L	542 mm
M	230 mm
M1	22 mm
N	15 mm
T	6 mm
A2	81,6 mm
Weight	18,7 Kg
Basic dynamic load rating (C)	43,55 kN
A1	22 mm
B	55.4 mm
A5	27.7 mm
d1	74.5 mm
G	M6x1

EXT211+WB Bearing 2D drawings and 3D CAD models



Thk Environmental Axis.

H1	130 mm
H2	102 mm
L1	106 mm
L3	95 mm
N1	25 mm
N2	64 mm
s1	48.4 mm
S	27.7 mm
C	43.55 kN
C0	29.2 kN
T min.	-20 ° C
T max.	100 ° C
Recommended tightening torque for set screw	22 Nm
Designation of housing	T211-
Designation of bearing	EX211G2