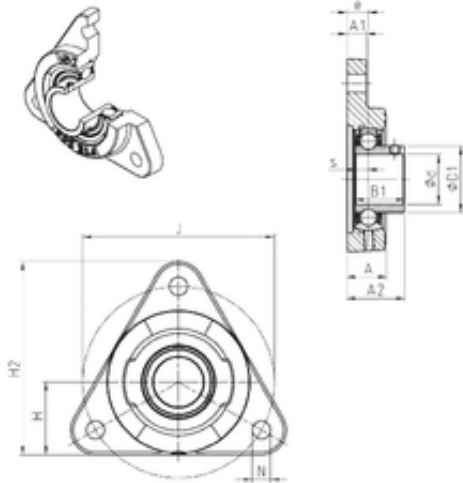




## Thk Environmental Axis.



### SNR USFTE209 Unidad De Rodamiento

Bearing No. USFTE209

Bore Diameter	45 mm
d	45 mm
e	19,2 mm
s	10,2 mm
A	33 mm
A1	16 mm
B1	41,2 mm
D1	57,2 mm
H	55 mm
H2	150 mm
J	160 mm
N	14 mm
Thread (G)	R1/8"
A2	50,2 mm
Weight	2,1 Kg
Basic dynamic load rating (C)	31,85 kN

USFTE209 Bearing 2D drawings and 3D CAD models