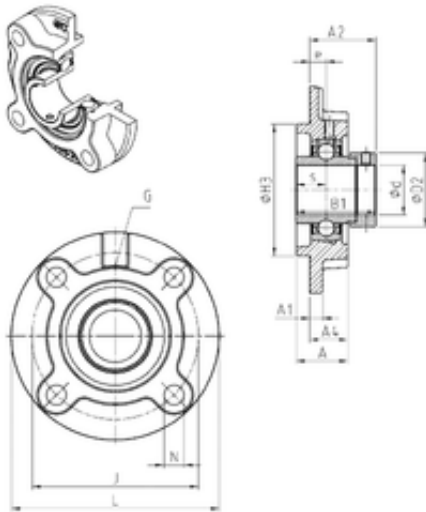




Thk Environmental Axis.



SNR EXFC211 Unidad De Rodamiento

Bearing No. EXFC211

Bore Diameter	55 mm
d	55 mm
H3	125 mm
A4	30 mm
e	13 mm
s	27,7 mm
A	42 mm
A1	13 mm
B1	71,3 mm
D2	76,2 mm
J	150 mm
L	185 mm
N	19 mm
Thread (G)	M6x1
A2	56,6 mm
Weight	4,1 Kg
Basic dynamic load rating (C)	43,55 kN

EXFC211 Bearing 2D drawings and 3D CAD models