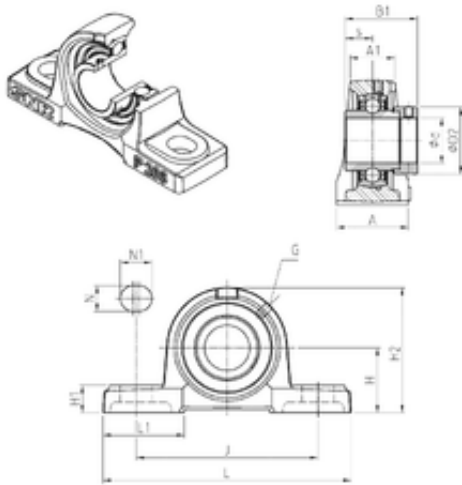




Thk Environmental Axis.



SNR EXP213 Unidad De Rodamiento

Bearing No. EXP213

Bore Diameter	65 mm
d	65 mm
s	34,1 mm
A	70 mm
A1	46 mm
B1	85,7 mm
D2	86 mm
H	76,2 mm
H1	27 mm
H2	150 mm
J	203 mm
L	265 mm
L1	77 mm
N	25 mm
N1	29 mm
Thread (G)	M6x1
Weight	6,6 Kg
Basic dynamic load rating (C)	57,2 kN

EXP213 Bearing 2D drawings and 3D CAD models