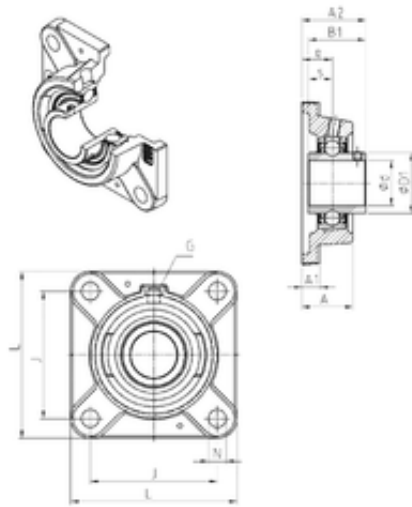




## Thk Environmental Axis.



### SNR UCFE207 Unidad De Rodamiento

Bearing No. UCFE207

Bore Diameter	35 mm
d	35 mm
e	21 mm
s	17,5 mm
A	36 mm
A1	12,5 mm
B1	42,9 mm
D1	48 mm
J	92 mm
L	118 mm
N	14 mm
Thread (G)	R1/8"
A2	46,4 mm
Weight	1,6 Kg
Basic dynamic load rating (C)	25,7 kN

UCFE207 Bearing 2D drawings and 3D CAD models