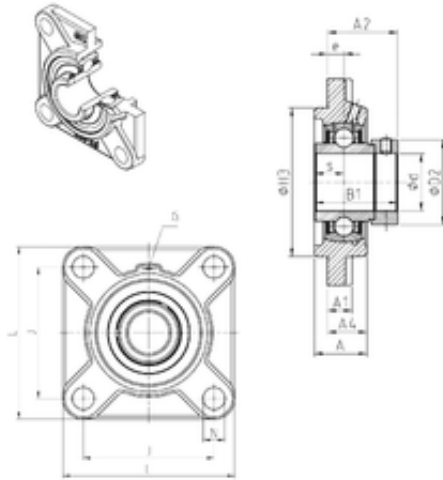




Thk Environmental Axis.



SNR EXFS311 Unidad De Rodamiento

Bearing No. EXFS311

Bore Diameter	55 mm
d	55 mm
H3	150 mm
A4	39 mm
e	17 mm
s	27,8 mm
A	52 mm
A1	20 mm
B1	73 mm
D2	83 mm
J	140 mm
L	185 mm
N	23 mm
Thread (G)	M6x1
A2	62,2 mm
Weight	6,1 Kg
Basic dynamic load rating (C)	71,5 kN

EXFS311 Bearing 2D drawings and 3D CAD models