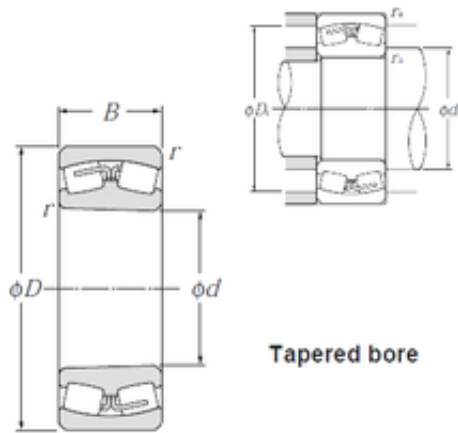




Thk Environmental Axis.



239/1000K Bearing 2D drawings and 3D CAD models

1000 mm x 1 320 mm x 236 mm NTN
239/1000K Rodamientos De Rodillos Esf é ricos

Bearing No. 239/1000K

Size	1000x1320x236 mm
Bore Diameter	1000 mm
Outer Diameter	1320 mm
Width	236 mm
d	1000 mm
D	1 320 mm
B	236 mm
C	236 mm
r min.	7,5 mm
da min.	1 036 mm
Da max.	1 284 mm
ra max.	6 mm
Weight	887 Kg
Basic dynamic load rating (C)	8 600 kN
Basic static load rating (C0)	22 700 kN
(Grease) Lubrication Speed	180 r/min
(Oil) Lubrication Speed	230 r/min
Calculation factor (e)	0,16
Calculation factor (Y0)	4,11
Calculation factor (Y1)	4,21