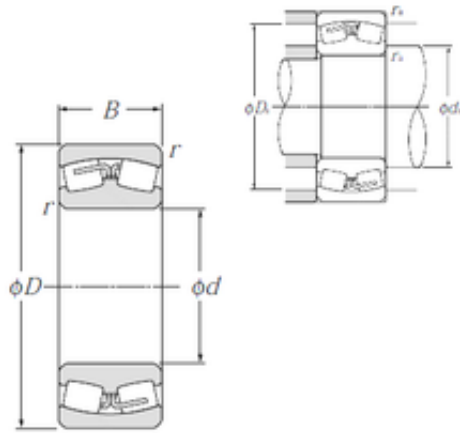




Thk Environmental Axis.



22330B Bearing 2D drawings and 3D CAD models

150 mm x 320 mm x 108 mm NTN 22330B Rodamientos De Rodillos Esf é ricos

Bearing No. 22330B

Size	150x320x108 mm
Bore Diameter	150 mm
Outer Diameter	320 mm
Width	108 mm
d	150 mm
D	320 mm
B	108 mm
C	108 mm
r min.	4 mm
da min.	168 mm
Da max.	302 mm
ra max.	3 mm
Weight	42,7 Kg
Basic dynamic load rating (C)	1 270 kN
Basic static load rating (C0)	1 750 kN
(Grease) Lubrication Speed	1 200 r/min
(Oil) Lubrication Speed	1 600 r/min
Calculation factor (e)	0,35
Calculation factor (Y0)	1,88
Calculation factor (Y1)	1,92
Category	Spherical Roller Bearings
Inventory	0.0
Manufacturer Name	NTN
Minimum Buy Quantity	N/A
Weight / Kilogram	42.44



Thk Environmental Axis.

EAN	4547359520156
Product Group	B04311
Internal Clearance	C0-Medium
Mounting Method	Shaft Mount
Rolling Element	Spherical Roller Bearing
Bore Profile	Straight
Cage Material	Bronze
Enclosure	Open
Number of Rows of Rollers	Double Row
Relubricatable	Yes
Withdrawal Sleeve	Not Applicable
Withdrawal Nut	Not Applicable
Inch - Metric	Metric
Long Description	150MM Straight Bore; 320MM Outside Diameter; 108MM Width; C0-Medium Clearance; Shaft Mount; Double Row of Spherical Roller Bearings; Bronze Cage Material; Open Enclosure; Relubricatable
Category	Spherical Roller Bearing
UNSPSC	31171510
Harmonized Tariff Code	84823080
Noun	Bearing
Keyword String	Spherical
Manufacturer URL	http://www.ntnamerica.com
Weight / LBS	93.483
Outside Diameter	12.598 Inch 320 Millimeter
Width	4.252 Inch 108 Millimeter
Adapter Part Number	Not Applicable Inch Not Applicable Millimeter
Bore	5.906 Inch 150 Millimeter



Thk Environmental Axis.