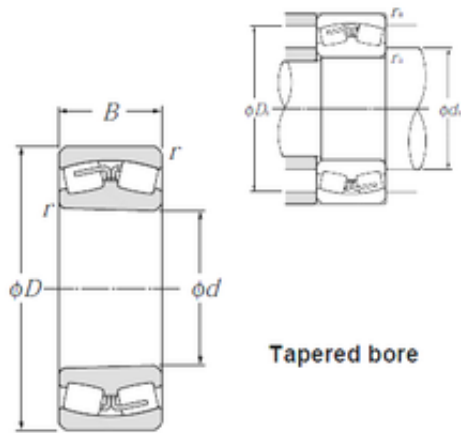




Thk Environmental Axis.



24088BK30 Bearing 2D drawings and 3D CAD models

440 mm x 650 mm x 212 mm NTN 24088BK30 Rodamientos De Rodillos Esf é ricos

Bearing No. 24088BK30

Size	440x650x212 mm
Bore Diameter	440 mm
Outer Diameter	650 mm
Width	212 mm
d	440 mm
D	650 mm
B	212 mm
C	212 mm
r min.	6 mm
da min.	468 mm
Da max.	622 mm
ra max.	5 mm
Weight	241 Kg
Basic dynamic load rating (C)	4 300 kN
Basic static load rating (C0)	9 450 kN
(Grease) Lubrication Speed	420 r/min
(Oil) Lubrication Speed	540 r/min
Calculation factor (e)	0,32
Calculation factor (Y0)	2,07
Calculation factor (Y1)	2,11