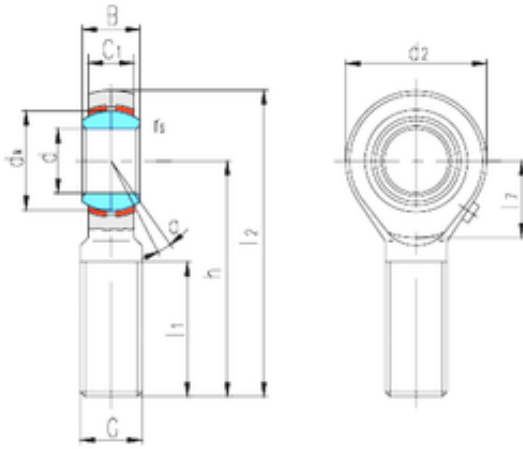




Thk Environmental Axis.



SAZP4S Bearing 2D drawings and 3D CAD models

LS SAZP4S Rodamientos Deslizantes

Bearing No. SAZP4S

Bore Diameter	4,83 mm
d	4,83 mm
B	7,92 mm
d2	15,88 mm
dk	11,1 mm
h	31,75 mm
l1 min.	19,05 mm
l2 max.	39,7 mm
r min.	0,3 mm
C1	6,35 mm
Thread (G) - 10-32	1032
Angle	10 °
Weight	0,013 Kg
Basic dynamic load rating (C)	3,4 kN