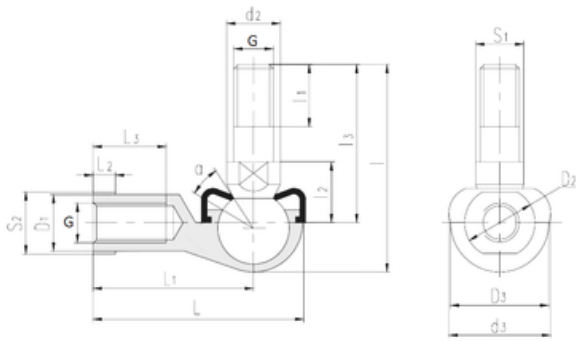




## Thk Environmental Axis.



### LS SQL6-RS Rodamientos Deslizantes

Bearing No. SQL6-RS

|            |          |
|------------|----------|
| S1         | 8 mm     |
| L2         | 5 mm     |
| L3         | 14 mm    |
| l          | 35,5 mm  |
| d2         | 10 mm    |
| d3         | 20 mm    |
| l1 min.    | 11 mm    |
| l2 max.    | 11 mm    |
| l3 min.    | 26 mm    |
| D1         | 10 mm    |
| D2         | 13 mm    |
| D3         | 19 mm    |
| L          | 40 mm    |
| L1         | 30,5 mm  |
| S2         | 11 mm    |
| Thread (G) | M6       |
| Angle      | 25 °     |
| Weight     | 0,039 Kg |

SQL6-RS Bearing 2D drawings and 3D CAD models