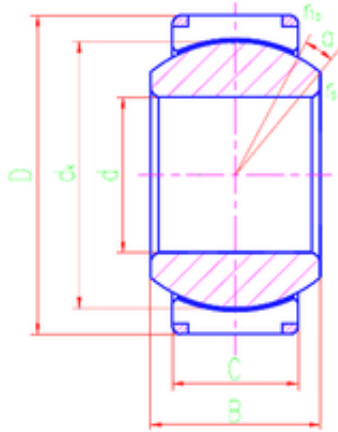




## Thk Environmental Axis.



### 280 mm x 400 mm x 200 mm LS GEH280XT Rodamientos Deslizantes

Bearing No. GEH280XT

Size	280x400x200 mm
Bore Diameter	280 mm
Outer Diameter	400 mm
Width	200 mm
d	280 mm
D	400 mm
B	200 mm
C	190 mm
dk	370 mm
r min.	1,1 mm
r1 min.	1,1 mm
Angle	2 °
Weight	96 Kg
Basic dynamic load rating (C)	10540 kN

GEH280XT Bearing 2D drawings and 3D CAD models