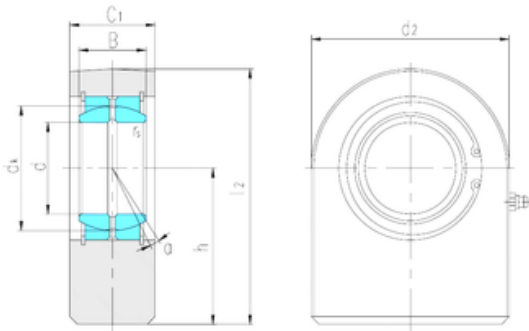




Thk Environmental Axis.



LS SF60ES Rodamientos Deslizantes

Bearing No. SF60ES

Bore Diameter	60 mm
d	60 mm
B	44 mm
d2	140 mm
dk	80 mm
h	100 mm
l2 max.	170 mm
r5 min.	1 mm
C1	50 mm
Angle	6 °
Weight	7,1 Kg
Basic dynamic load rating (C)	245 kN

SF60ES Bearing 2D drawings and 3D CAD models