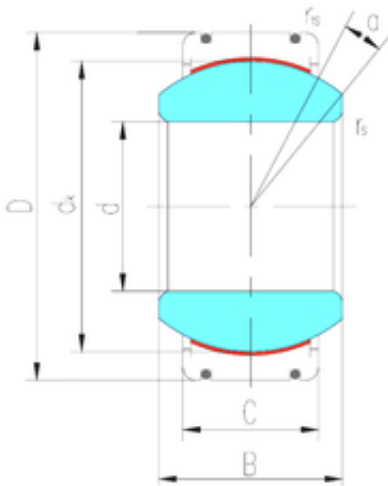




Thk Environmental Axis.



420 mm x 560 mm x 190 mm LS
GEC420XT-2RS Rodamientos Deslizantes

Bearing No. GEC420XT-2RS

Size	420x560x190 mm
Bore Diameter	420 mm
Outer Diameter	560 mm
Width	190 mm
d	420 mm
D	560 mm
B	190 mm
C	160 mm
dk	490 mm
r min.	1,5 mm
r1 min.	4 mm
Angle	3 °
Weight	141 Kg
Basic dynamic load rating (C)	14110 kN

GEC420XT-2RS Bearing 2D drawings and 3D CAD models