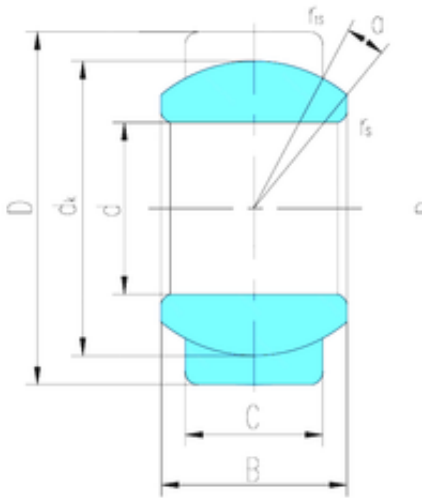




## Thk Environmental Axis.



### 10 mm x 19 mm x 9 mm LS GE10E Rodamientos Deslizantes

Bearing No. GE10E

Size	10x19x9 mm
Bore Diameter	10 mm
Outer Diameter	19 mm
Width	9 mm
d	10 mm
D	19 mm
B	9 mm
C	6 mm
dk	16 mm
r min.	0,3 mm
r1 min.	0,3 mm
Angle	12 °
Weight	0,011 Kg
Basic dynamic load rating (C)	8,1 kN

GE10E Bearing 2D drawings and 3D CAD models