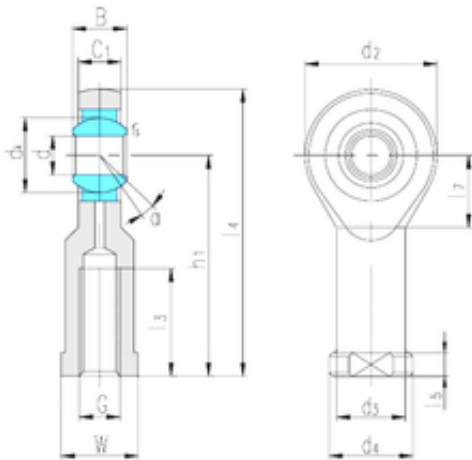




Thk Environmental Axis.

LS SI40ES Rodamientos Deslizantes

Bearing No. SI40ES



SI40ES Bearing 2D drawings and 3D CAD models

Bore Diameter	40 mm
d	40 mm
B	28 mm
d2	92 mm
d3	52 mm
d4	65 mm
dk	53 mm
h1	142 mm
l3 min.	65 mm
l4 max.	188 mm
l5	18 mm
l7 min.	47 mm
r min.	0,6 mm
C1 max	24 mm
W	60 mm
Thread (G)	M39 × 3
Angle	7 °
Weight	2,1 Kg
Basic dynamic load rating (C)	99 kN