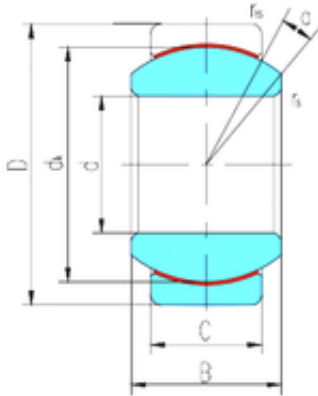




Thk Environmental Axis.

45 mm x 68 mm x 32 mm LS GE45ET/X Rodamientos Deslizantes

Bearing No. GE45ET/X



GE45ET/X Bearing 2D drawings and 3D CAD models

Size	45x68x32 mm
Bore Diameter	45 mm
Outer Diameter	68 mm
Width	32 mm
d	45 mm
D	68 mm
B	32 mm
C	25 mm
dk	60 mm
r min.	0,6 mm
r1 min.	1 mm
Angle	7 °
Weight	0,421 Kg
Basic dynamic load rating (C)	225 kN