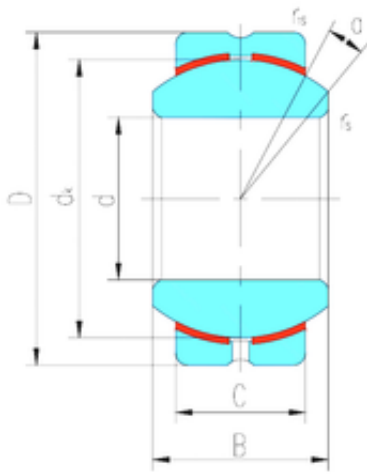




Thk Environmental Axis.



28 mm x 62 mm x 35 mm LS GEBK28S Rodamientos Deslizantes

Bearing No. GEBK28S

Size	28x62x35 mm
Bore Diameter	28 mm
Outer Diameter	62 mm
Width	35 mm
d	28 mm
D	62 mm
B	35 mm
C	25 mm
dk	47,63 mm
r min.	0,6 mm
r1 min.	0,6 mm
Angle	15 °
Weight	0,5 Kg
Basic dynamic load rating (C)	59 kN

GEBK28S Bearing 2D drawings and 3D CAD models