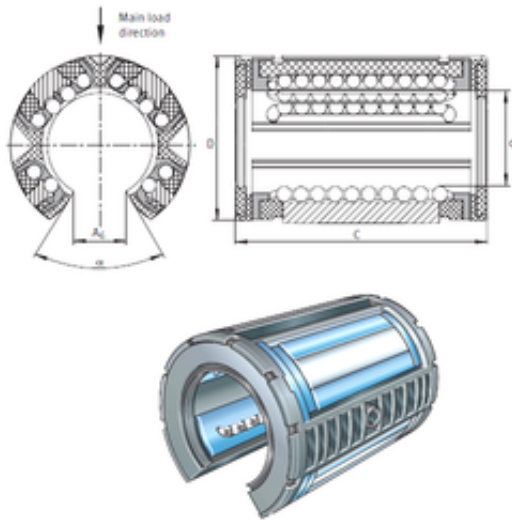




Thk Environmental Axis.



INA KSO25 Cojinetes Lineales

Bearing No. KSO25

Size	25x40x58 mm
Bore Diameter	25 mm
Outer Diameter	40 mm
Width	58 mm
d	25 mm
D	40 mm
C	58 mm
A6	12,5 mm
H10	1,5 mm
K4	3 mm
K1	3,5 mm
Angle (?)	60 °
Weight	0,075 Kg
Basic dynamic load rating (C)	3,95 kN

KSO25 Bearing 2D drawings and 3D CAD models