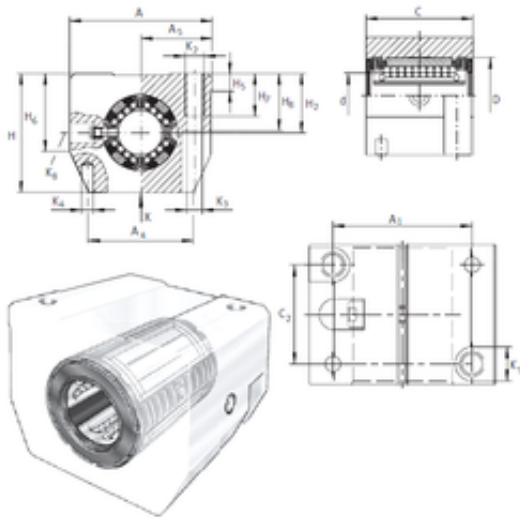




Thk Environmental Axis.



KGSNG12-PP-AS Bearing 2D drawings and 3D CAD models

INA KGSNG12-PP-AS Cojinetes Lineales

Bearing No. KGSNG12-PP-AS

Size	12x22x32 mm
Bore Diameter	12 mm
Outer Diameter	22 mm
Width	32 mm
d	12 mm
D	22 mm
C	32 mm
H5	5,4 mm
H6	25,3 mm
H7	11 mm
H8	16,5 mm
K3	4,3 mm
K4	4 mm
K5	8 mm
Thread (K2)	M5
Thread (K8)	NIP 4 MZ
A4	34 mm
A5	21,5 mm
A	43 mm
A1	32 mm
H	35 mm
H2	18 mm
C2	23 mm
Weight	0,1 Kg
Basic dynamic load rating (C)	0,9 kN