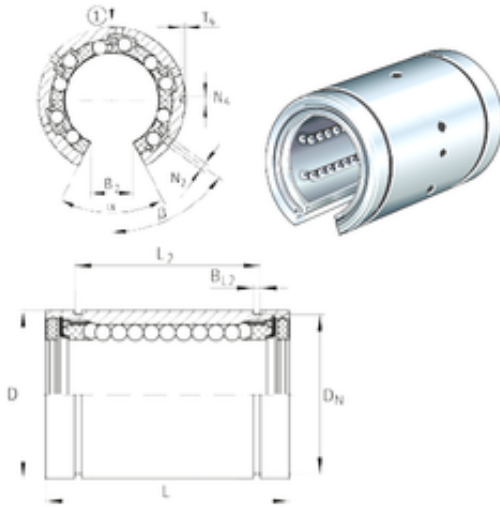




Thk Environmental Axis.

INA KBO12-PP Cojinetes Lineales

Bearing No. KBO12-PP



KBO12-PP Bearing 2D drawings and 3D CAD models

Bore Diameter	12 mm
Outer Diameter	22 mm
Fw	12 mm
D	22 mm
Dn	21 mm
L2	22,6 mm
B2	7,7 mm
N2	1,5 mm
L	32 mm
BL2	1,3 mm
T4	1,2 mm
N4	2,2 mm
Weight	0,03 Kg
Basic dynamic load rating (C)	0,6 kN