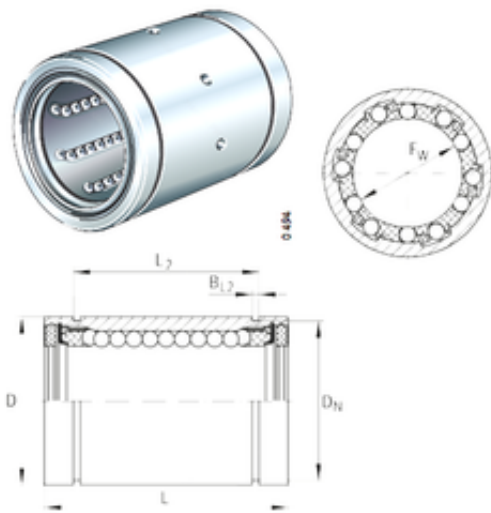




Thk Environmental Axis.

INA KB20 Cojinetes Lineales

Bearing No. KB20



KB20 Bearing 2D drawings and 3D CAD models

| | |
|-------------------------------|---------|
| Bore Diameter | 20 mm |
| Outer Diameter | 32 mm |
| Fw | 20 mm |
| D | 32 mm |
| Dn | 30,3 mm |
| L2 | 31,2 mm |
| N2 | 2 mm |
| L | 45 mm |
| BL2 | 1,6 mm |
| Weight | 0,09 Kg |
| Basic dynamic load rating (C) | 1,66 kN |