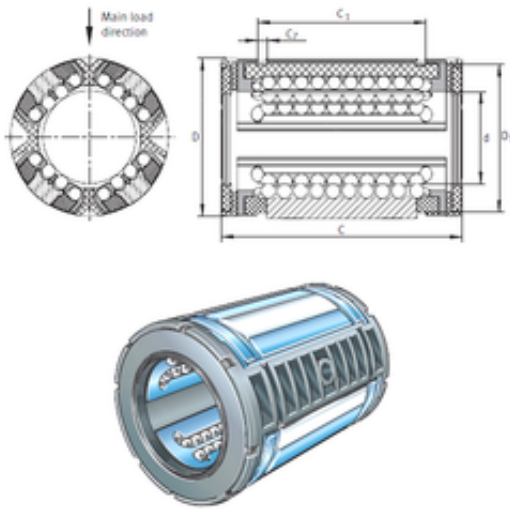




Thk Environmental Axis.



INA KS12-PP Cojinetes Lineales

Bearing No. KS12-PP

| | |
|-------------------------------|-------------|
| Size | 12x22x32 mm |
| Bore Diameter | 12 mm |
| Outer Diameter | 22 mm |
| Width | 32 mm |
| d | 12 mm |
| D | 22 mm |
| C | 32 mm |
| C7 | 1,3 mm |
| K1 | 3 mm |
| C1 | 22,6 mm |
| D1 | 21 mm |
| Weight | 0,018 Kg |
| Basic dynamic load rating (C) | 0,9 kN |

KS12-PP Bearing 2D drawings and 3D CAD models