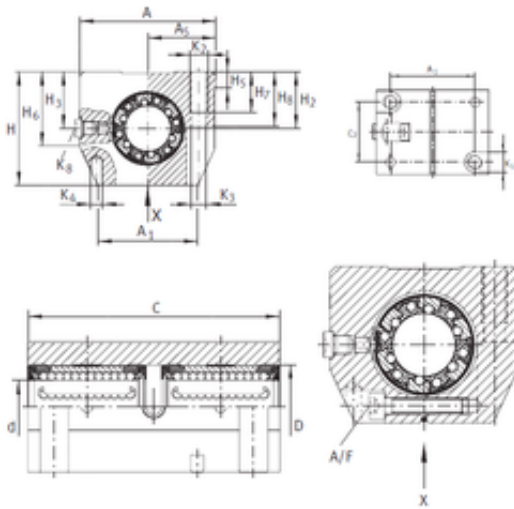




Thk Environmental Axis.



KTNS 25 C-PP-AS Bearing 2D drawings and 3D CAD models

INA KTNS 25 C-PP-AS Cojinetes Lineales

Bearing No. KTNS 25 C-PP-AS

Bore Diameter	25 mm
Outer Diameter	40 mm
d	25 mm
D	40 mm
A/F	5 mm
H5	8,5 mm
H6	40 mm
H7	22 mm
H8	29 mm
K3	8,4 mm
K4	6 mm
K5	15 mm
Thread (K2)	M10
H3	30 mm
A5	39 mm
C3	44 mm
A	78 mm
A1	60 mm
C	122 mm
H	60 mm
H2	30 mm
C2	94 mm
Weight	1,15 Kg
Basic dynamic load rating (C)	5 kN