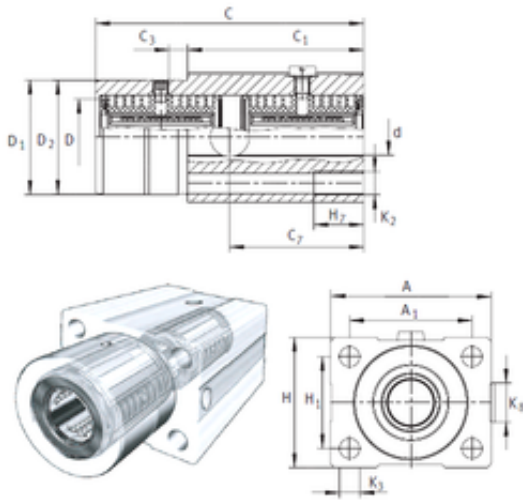




Thk Environmental Axis.

INA KTFS30-PP-AS Cojinetes Lineales

Bearing No. KTFS30-PP-AS



KTFS30-PP-AS Bearing 2D drawings and 3D CAD models

| | |
|-------------------------------|---------|
| Bore Diameter | 30 mm |
| d | 30 mm |
| C7 | 71 mm |
| H7 | 35 mm |
| K3 | 13,5 mm |
| Thread (K2) | M16 |
| Thread (K8) | M8X1 |
| C3 | 10 mm |
| A | 84 mm |
| A1 | 64 mm |
| C | 142 mm |
| C1 | 82 mm |
| D | 44 mm |
| D1 | 61 mm |
| D2 | 61 mm |
| H | 70 mm |
| H1 | 50 mm |
| Weight | 1,4 Kg |
| Basic dynamic load rating (C) | 9,6 kN |