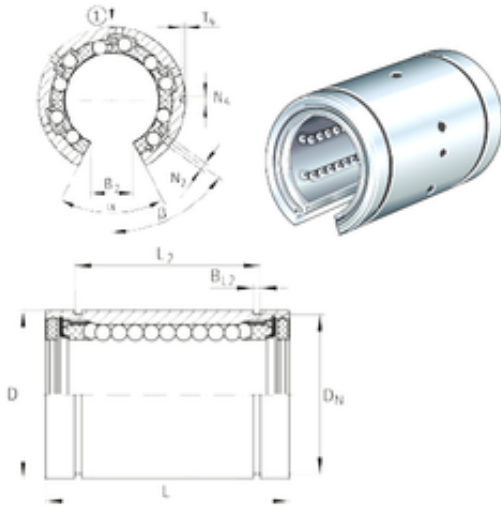




Thk Environmental Axis.



INA KBO40 Cojinetes Lineales

Bearing No. KBO40

Bore Diameter	40 mm
Outer Diameter	62 mm
Fw	40 mm
D	62 mm
Dn	59 mm
L2	60,3 mm
B2	18,2 mm
N2	3 mm
L	80 mm
BL2	2,15 mm
T4	1,5 mm
N4	3 mm
Weight	0,52 Kg
Basic dynamic load rating (C)	6,1 kN

KBO40 Bearing 2D drawings and 3D CAD models