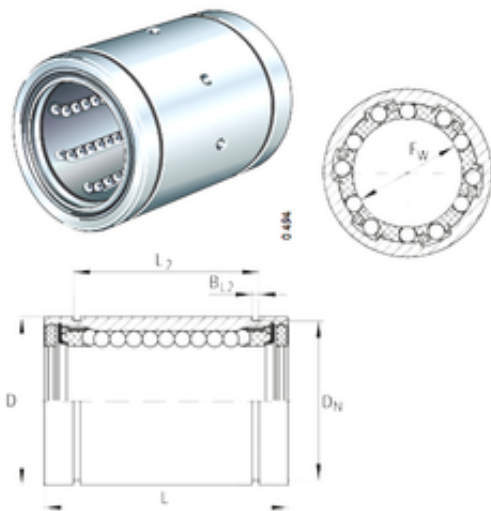




Thk Environmental Axis.

INA KB16-PP Cojinetes Lineales

Bearing No. KB16-PP



KB16-PP Bearing 2D drawings and 3D CAD models

Bore Diameter	16 mm
Outer Diameter	26 mm
Fw	16 mm
D	26 mm
Dn	24,9 mm
L2	24,6 mm
N2	2 mm
L	36 mm
BL2	1,3 mm
Weight	0,05 Kg
Basic dynamic load rating (C)	0,84 kN