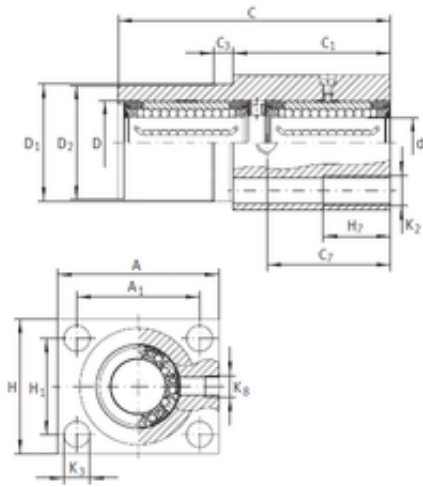




Thk Environmental Axis.



KTFN 30 C-PP-AS Bearing 2D drawings and 3D CAD models

INA KTFN 30 C-PP-AS Cojinetes Lineales

Bearing No. KTFN 30 C-PP-AS

Bore Diameter	30 mm
Outer Diameter	47 mm
d	30 mm
D	47 mm
C7	71 mm
H7	35 mm
K8	13,5 mm
Thread (K2)	M16
Thread (K8)	M8X1
C3	10 mm
A	84 mm
A1	64 mm
C	142 mm
C1	82 mm
D1	61 mm
D2	60,8 mm
H	70 mm
H1	50 mm
Weight	1,4 Kg
Basic dynamic load rating (C)	6,1 kN