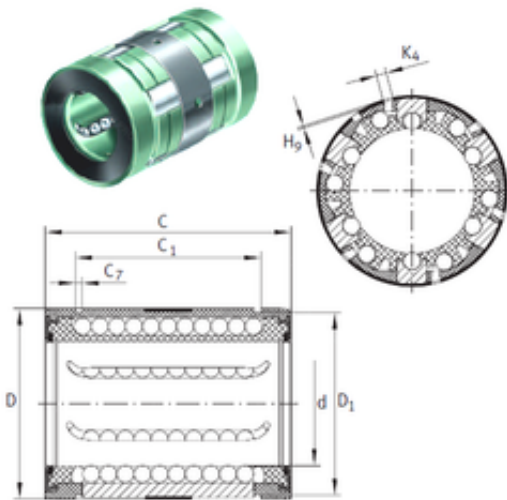




# Thk Environmental Axis.

## INA KN25-B Cojinetes Lineales

Bearing No. KN25-B



KN25-B Bearing 2D drawings and 3D CAD models

|                |             |
|----------------|-------------|
| Size           | 25x40x58 mm |
| Bore Diameter  | 25 mm       |
| Outer Diameter | 40 mm       |
| Width          | 58 mm       |
| d              | 25 mm       |
| D              | 40 mm       |
| C              | 58 mm       |
| C7             | 1,85 mm     |
| H9             | 1,4 mm      |
| K4             | 3 mm        |
| b1             | 2,5 mm      |
| C1             | 43,7 mm     |
| D1             | 38,5 mm     |