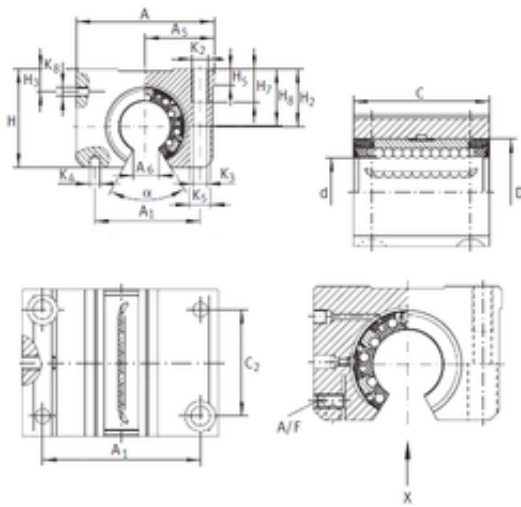




## Thk Environmental Axis.



### INA KGNOS 16 C-PP-AS Cojinetes Lineales

Bearing No. KGNOS 16 C-PP-AS

Bore Diameter	16 mm
Outer Diameter	26 mm
d	16 mm
D	26 mm
A6	9 mm
A/F	2,5 mm
H5	7,5 mm
H7	13 mm
H8	21 mm
K3	5,3 mm
K4	4 mm
K5	10 mm
Thread (K2)	M6
Thread (K8)	M6
H3	10 mm
A5	26,5 mm
Angle (?)	68 °
A	53 mm
A1	40 mm
C	37 mm
H	35 mm
H2	22 mm
C2	26 mm
Weight	0,15 Kg

KGNOS 16 C-PP-AS Bearing 2D drawings and 3D CAD models