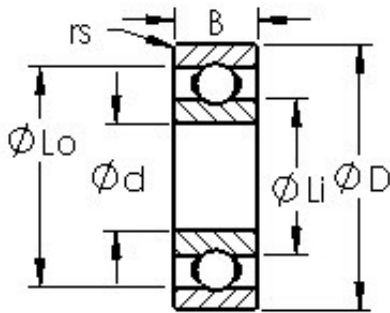




Thk Environmental Axis.



AST 692XH Cojinetes de bolas profundas

Bearing No. 692XH

Size	2.5x7x2.5 mm
Bore Diameter	2,5 mm
Outer Diameter	7 mm
Width	2,5 mm
Bearing Type	Open
Bore Dia (d)	2.5000
Outer Dia (D)	7.0000
Width (B)	2.5000
Radius (min) (rs)	0.150
Dynamic Load Rating (Cr)	328
Static Load Rating (Cor)	103
Max Speed (Grease) (X1000 RPM)	63
Max Speed (Oil) (X1000 RPM)	75
Max. Shaft Shoulder Dia. Inner (Li)	3.8
Min. Housing Shoulder Dia., Outer (Lo)	5.7
Ball Qty	7
Ball Dia (Dw)	1.2000
Weight (g)	0.40
Precision	A1
Standard Clearance	K25
Material	Martensitic Stainless Steel

692XH Bearing 2D drawings and 3D CAD models